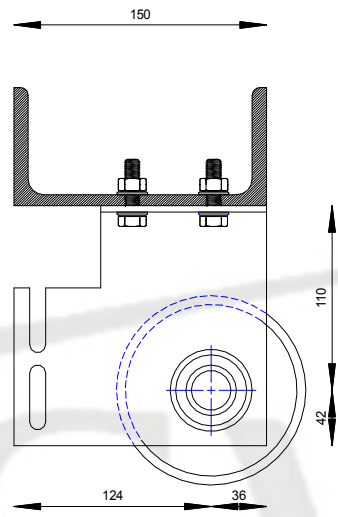
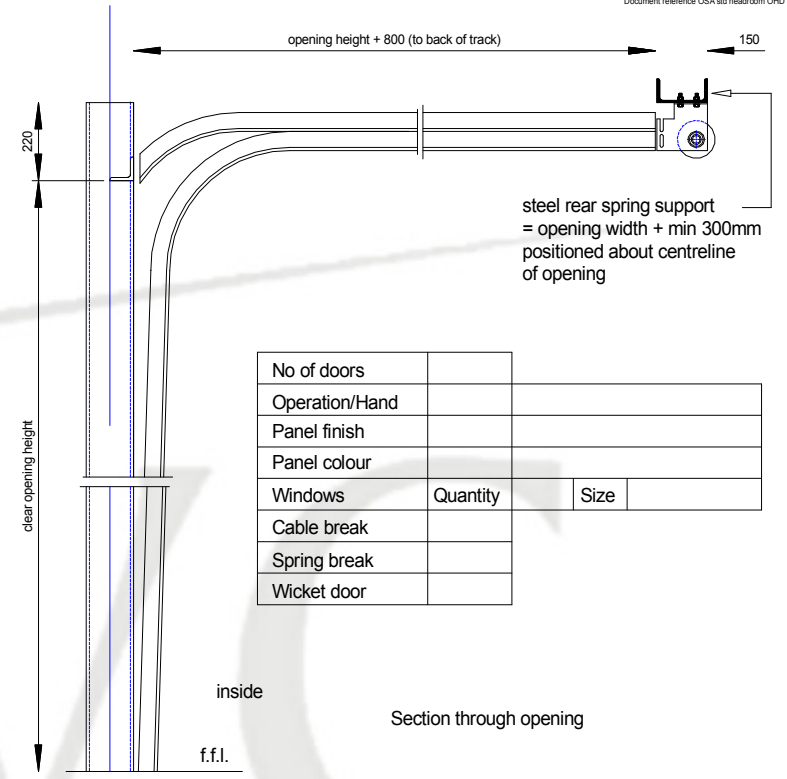


Elevation from inside building

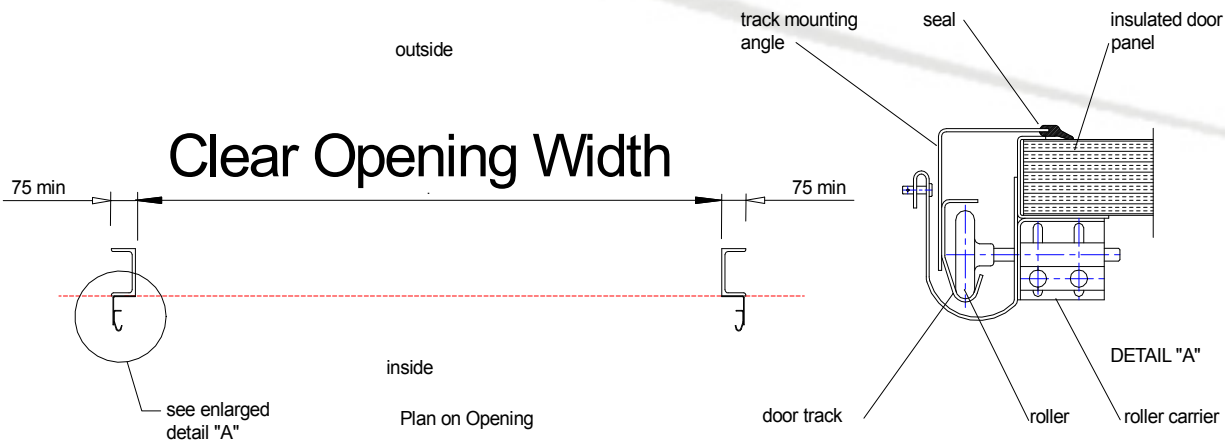


ENLARGED VIEW OF SPRING SUPPORT



Section through opening

No of doors			
Operation/Hand			
Panel finish			
Panel colour			
Windows	Quantity	Size	
Cable break			
Spring break			
Wicket door			



**SVC SECTIONAL OVERHEAD DOORS**

Quarry Bank, Chorley Road, Walton-Le-Dale, Preston, PR5 4JN  
 Tel: 01772 883090 Fax: 01772 885464  
 E-mail: sales@svcltd.co.uk

**LOW HEADROOM LIFT TRACK - STEELWORK REQUIREMENT**

Client	Revisions
Site	Date
drg no	

