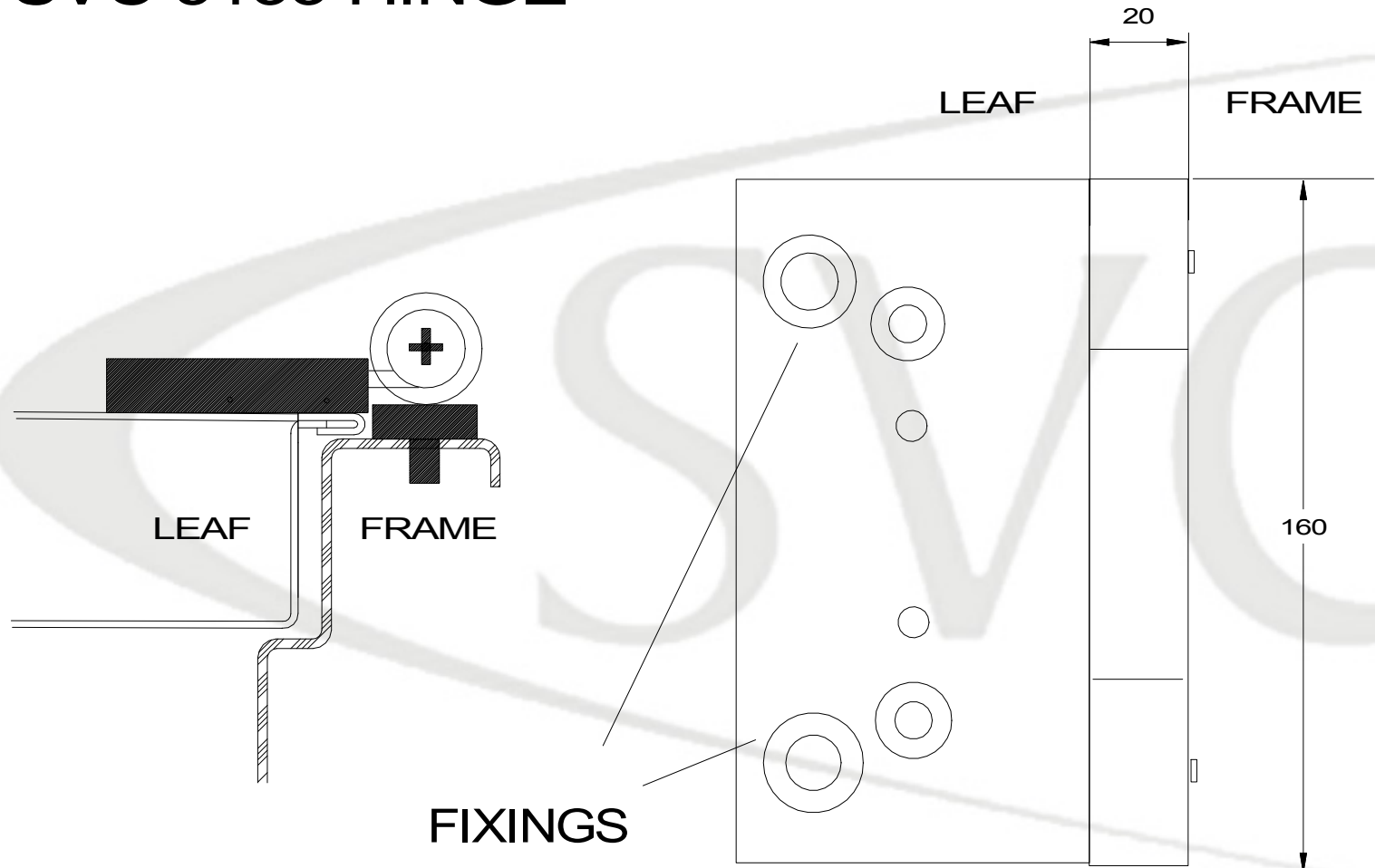


SVC 5133 HINGE



RevN	Revision note	Date	Signat	checker

SITE:-	Desiner	Site/name, designation, material, dimension etc.	Article No./Reference
TITLE:- HINGE DETAIL	Designed by J.K.	SVC205	Date
CLIENT:-	SVC LTD	DOOR ARRANGEMENT	
		D-	NOT TO SCALE

