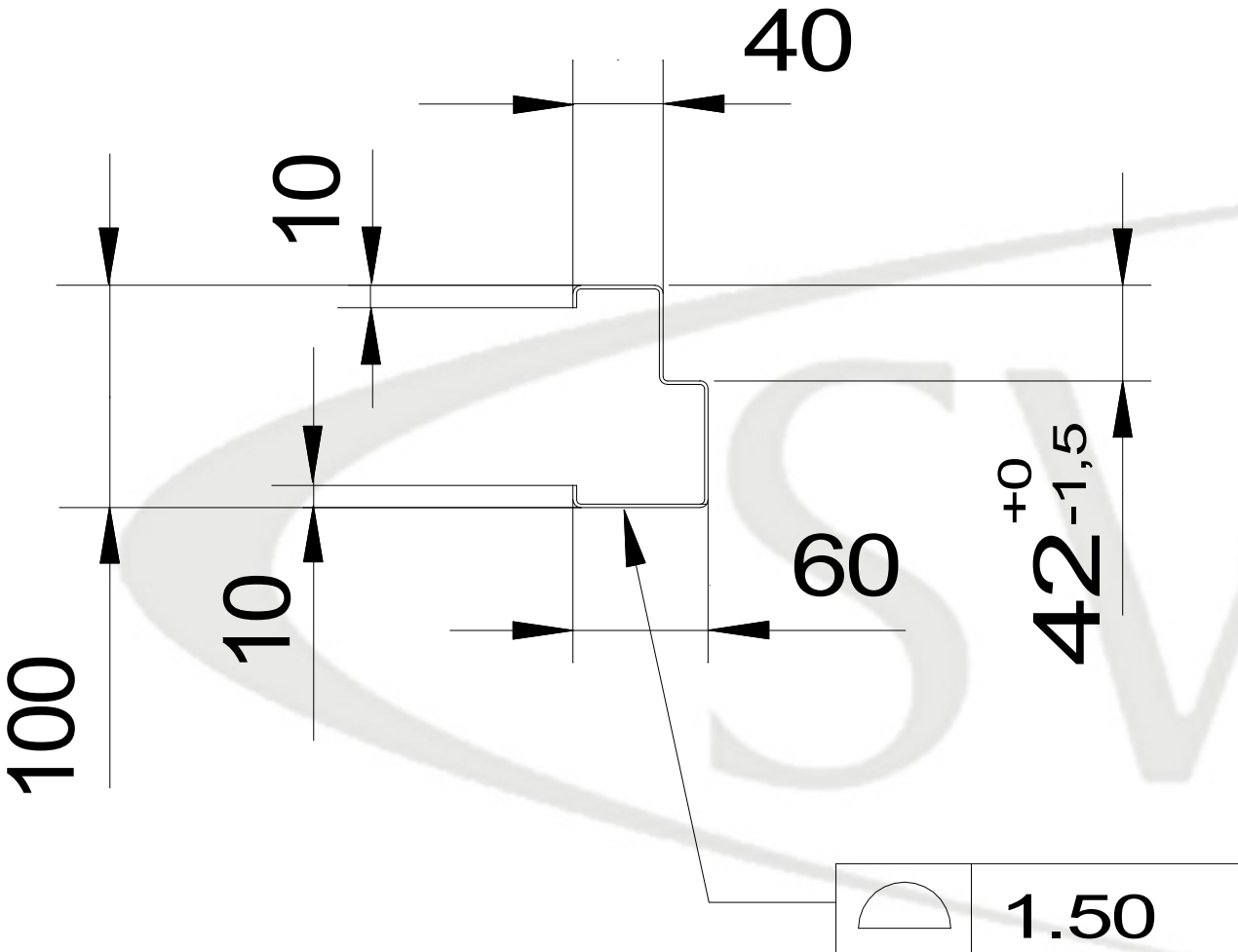


MATERIAL 2mm ZINTEC
MILD STEEL SHEET



SITE:-	Itemref	Title/Name, designation, material, dimension etc		Article No./Reference
	Designed by J.K.	SVC103	Filename	Date
TITLE:- FRAME SECTION	SVC LTD		Title/Name DOOR ARRANGEMENT	
CLIENT:-	Drawing number D-			Edison NOT TO SCALE

RevNo	Revision note	Date	Signature	Checked
-------	---------------	------	-----------	---------